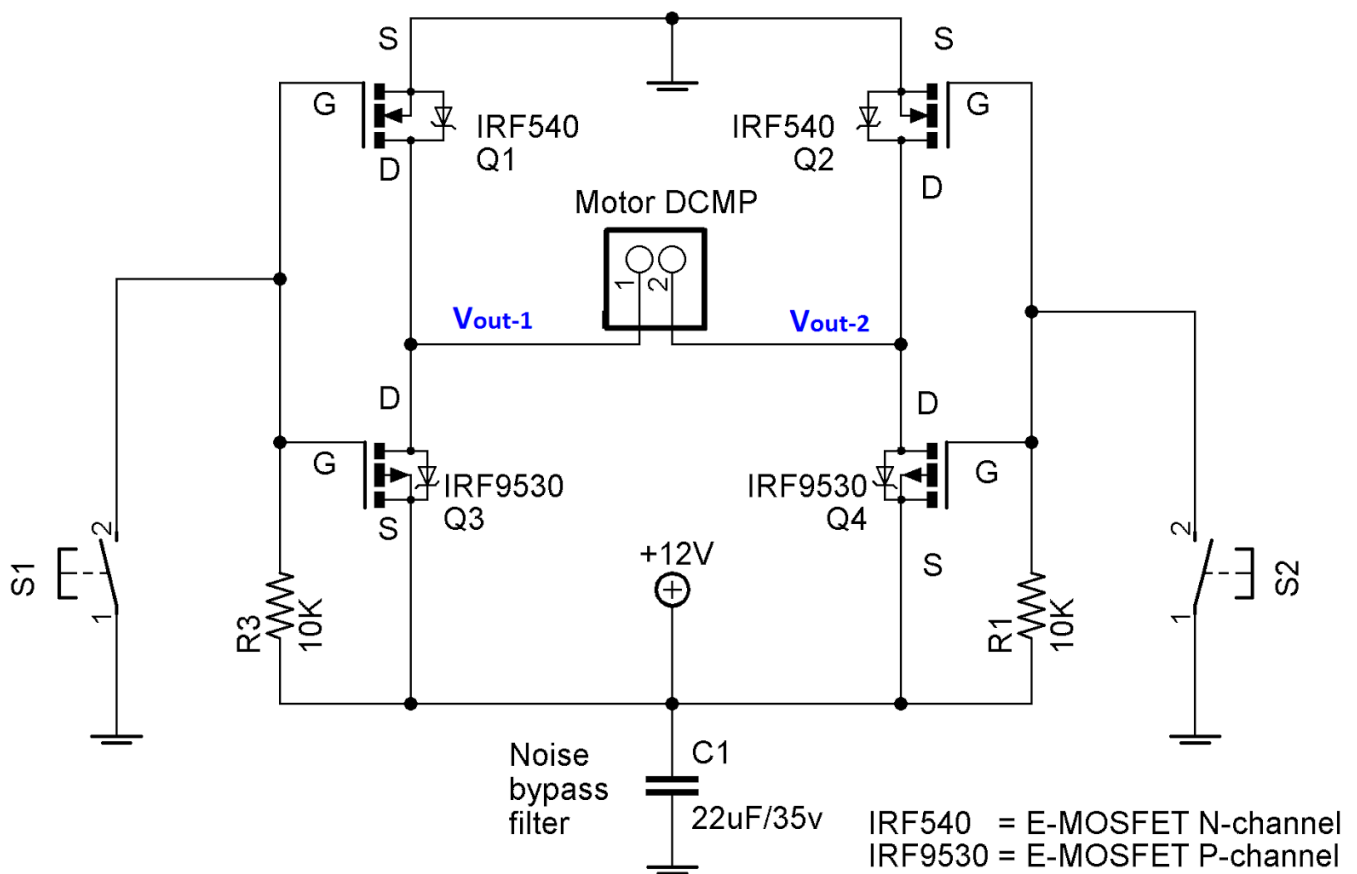


# Free Download



[Half Bridge Gate Driver Ic Download Preactivated Version](#)



[Half Bridge Gate Driver Ic Download Preactivated Version](#)

---

**Free Download**

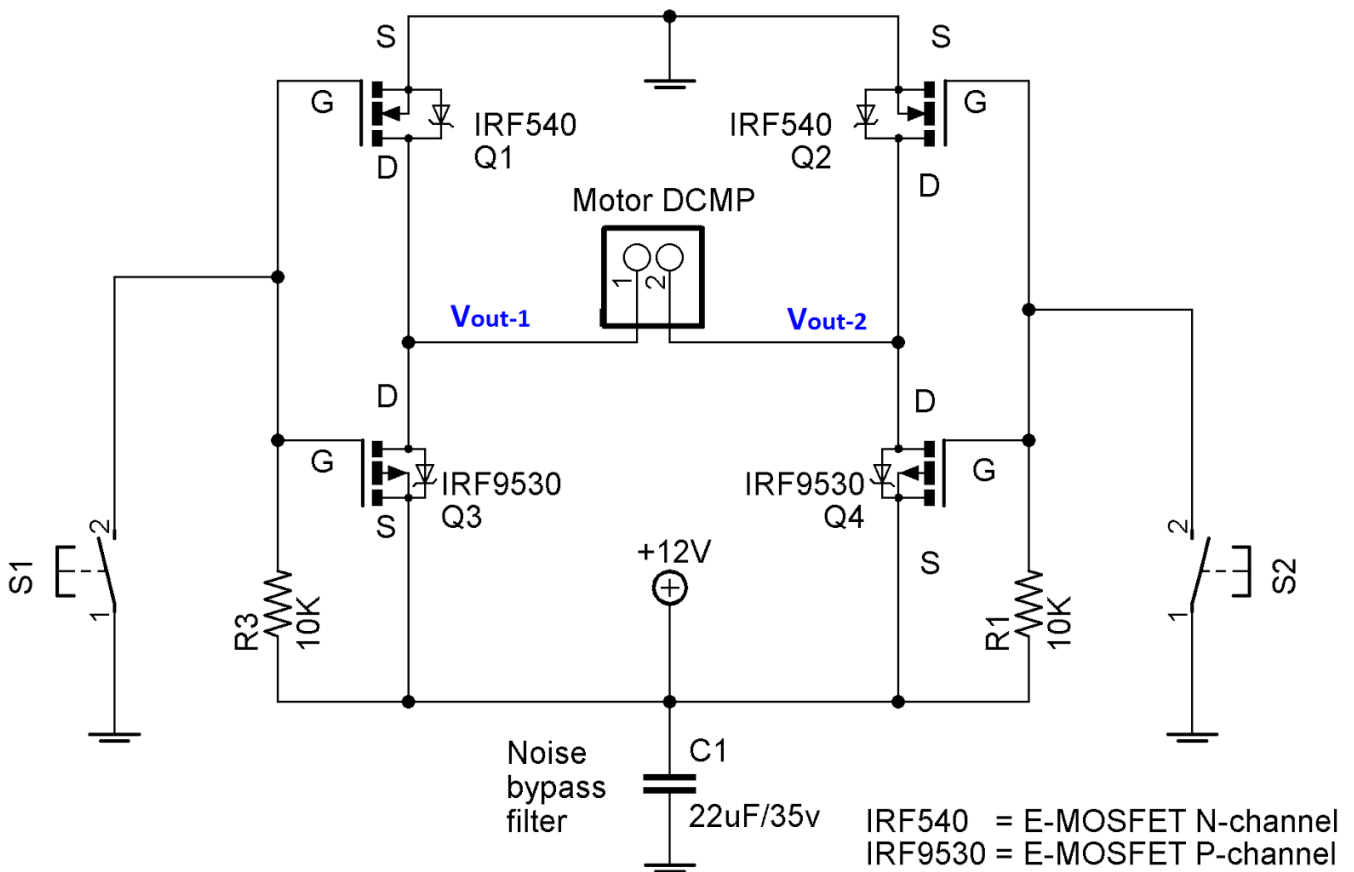


ti com 6 Specifications 6 1 Absolute Maximum Ratings(1)(2) MIN MAX UNIT VDD to VSS -0.

The circuit provides a. var q = 'Half+bridge+gate+driver+ic'; Half Bridge Gate Driver IcsIR2214 1200V Half Bridge Driver IC for Power Switching Applications in a 24 Lead SSOP package.. 0 V 600 0 V 650 0 V 1200 0 V 1700 0 V 1700V Dual Channel IGBT Gate Driver Board 2ED300C17-S Highly reliable 200V/600V/1200V high voltage driver ICs With functional isolation Small packages e.. Active Discover our broad spectrum of optimized low and high voltage gate driver solutions for MOSFETs, IGBTs and IGBT modules which enable our customers to build reliable.. g DSO-8 or TSSOP-28 With Infineon's Coreless Transformer LM5104 SNVS269D-JANUARY 2004-REVISED DECEMBER 2014 www.

[Quicktime Player For Mac Is Being Weird](#)

Half Bridge Gate Driver IconsSuchergebnisse: 39 active and preferred coming soon Buy online -- --- AG-EICE-45 PG-DSO-14 PG-DSO-16 PG-DSO-18 PG-DSO-19 PG-DSO-20 PG-DSO-28 PG-DSO-36 PG-DSO-8 PG-TSSOP-28 IGBT JFET MOSFET 3-Phase Dual Half Bridge Single Automotive Industrial 200.. 3 18 V The circuit, shown in Figure 1, is an H-bridge composed of high power switching MOSFETs that are controlled by low voltage logic signals. [Apple Games For Mac](#)



[Pro Tools 10 For Mac Torrent](#)

[Ati Radeon Hd 4650 Driver Download Free](#)  
[Show Me The Data Xtuple Open Source Erp For Mac](#)

---

[Download Mozilla Firefox For Mac Os](#)

b0d43de27c [Muscular System On Flowvella](#)

b0d43de27c

[Sony Vaio Bios Reset](#)